

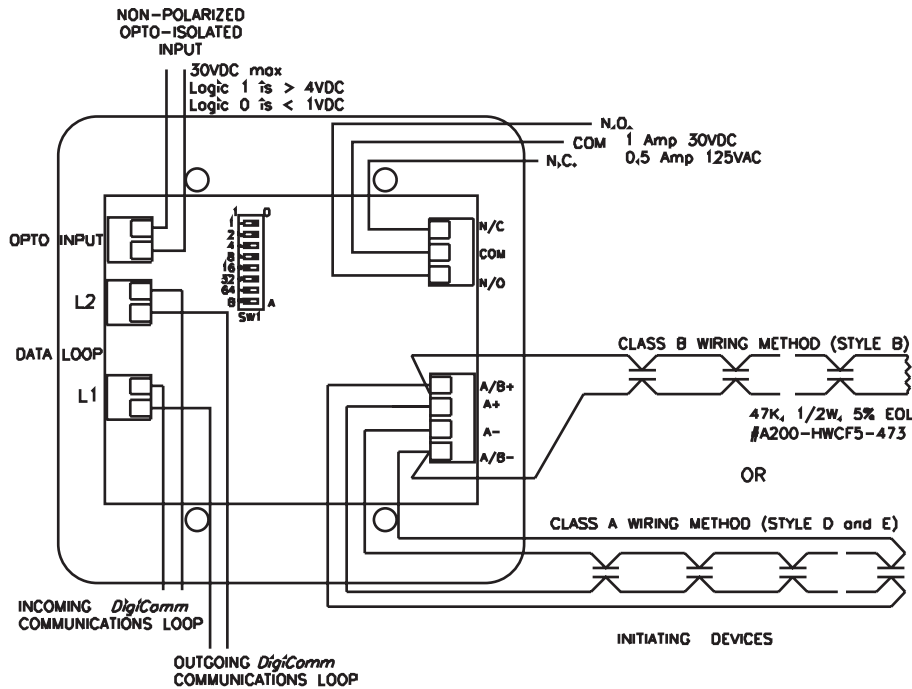
The NATIONAL TIME Addressable Control I/O module provides a style B/D initiating input to monitor dry contact initiating devices and a voltage sensitive input monitor point to monitor the absences of DC voltage. The module's output provides a form "C" dry contact rated for 24VDC @ 1 Amp. The *DigiComm*™ communication provides style 4, 6 or 7 wiring. The powerful *DigiComm*™ communication protocol enables reliable and accurate information to be exchanged between modules and the Fire Alarm Control Panel. The modules feature programmable status LED indicators. The Control I/O mounts in a 4" square or 2 gang electrical box.



Features:

- Addressable 2 Wire Initiating Circuit
- Supervised Style B/D Input
- 1 Form C Dry Contact
- Additional Voltage Monitoring Input
- Style 4, 6 or 7 Communication Wiring
- Superior *DigiComm*™ Digital Communication Protocol
- LED Indicator
- U.L. Listed

Wiring Diagrams



Specifications

DRY CONTACT: 24VDC @ 1 Amp; 120VAC @ 0.5 Amp

OPTO INPUT: V_{max} 30VDC
Logic 1 is > 4VDC
Logic 0 is < 1VDC

INPUT CIRCUIT: Style B/D
Dry Contact Initiating Device
Max Loop Resistance 50 ohms

DIGICOMM™ LOOP POWER: 850uA Supervisory and 5mA Alarm (Led Active 5mA)

COMMUNICATION: Style 4, 6, or 7 (via the *DigiComm*™ Communication Loop)

FINISH: White Polycarbonate

DIMENSIONS: 4.5" x 4.5" x 1.2"

NET WT.: 3.3 oz.

MOUNTING: 4" sq. or 2 Gang Electrical Box (minimum depth of 2-1/8")

Ordering Information

Part No.	Description
D900-CTRL I/O	<i>DigiComm</i> ™ Control I/O Module